

YONG YUAN VALVE

BALL CHECK VALVE

YKBD/YKBC/YKBS SERIES



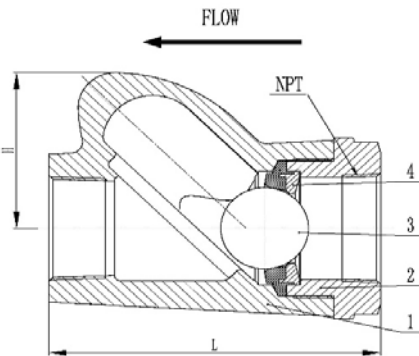
Stainless steel



Carbon steel



Ductile Iron



Features Include:

- Ductile Iron/Carbon steel/Stainless steel Check Valves
- 1" to 2" Size Range
- Ductile Iron: 1000 to 2000 WOG Pressure Range
Carbon Steel: 2000 to 5000 WOG Pressure Range
- Viton Seats
- Threaded ends to ANSI B1.20.1 (NPT)
- NACE MR0175

Parts & Materials

No.	Part	Material		
1	BODY	ASTM A395 DI	ASTM A216 WCB	ASTM A351 CF8M
2	ADAPTER	ASTM A395 DI	ASTM A216 WCB	ASTM A351 CF8M
3	BALL	316SS	316SS	316SS
4	SEAT	VITON	VITON	VITON

Notes: Buna-N Rated to 200 Deg F max. Viton Rated to 400 Deg F Max.

*All materials subject to restrictions outlined in NACE MR0175.

Dimensions (in)

Material	Size	Part#	Connection	Pressure	L	H	Weight (lbs)
Ductile Iron	1"	YKBD06V10	FNPT	1000	4.49	2.06	3.75
	1"	YKBD06V15	FNPT	1500	4.49	2.06	3.75
	1"	YKBD06V20	FNPT	2000	4.49	2.06	3.75
	2"	YKBD09V10	FNPT	1000	6.62	3.37	11.91
	2"	YKBD09V15	FNPT	1500	6.62	3.37	11.91
	2"	YKBD09V20	FNPT	2000	6.62	3.37	11.91
Carbon Steel	1"	YKBC06V20	FNPT	2000	4.49	2.06	3.86
	1"	YKBC06V30	FNPT	3000	4.49	2.06	3.86
	1"	YKBC06V50	FNPT	5000	4.49	2.06	3.86
	2"	YKBC09V20	FNPT	2000	6.62	3.37	12.46
	2"	YKBC09V30	FNPT	3000	6.62	3.37	12.46
	2"	YKBC09V50	FNPT	5000	6.62	3.37	12.46
Stainless Steel	1"	YKBS06V20	FNPT	2000	4.49	2.06	3.97
	1"	YKBS06V30	FNPT	3000	4.49	2.06	3.97
	1"	YKBS06V50	FNPT	5000	4.49	2.06	3.97
	2"	YKBS09V20	FNPT	2000	6.62	3.37	12.57
	2"	YKBS09V30	FNPT	3000	6.62	3.37	12.57
	2"	YKBS09V50	FNPT	5000	6.62	3.37	12.57