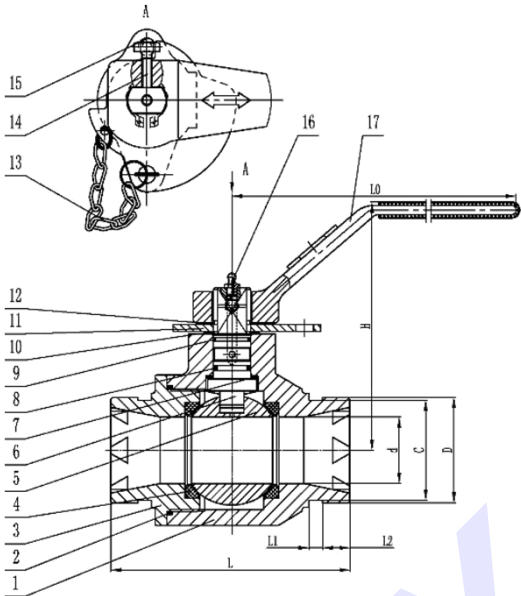


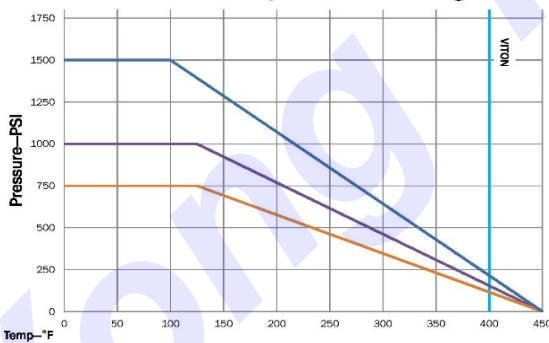
YONG YUAN VALVE

GROOVED END CONNECTION VALVE

YBGD SERIES



Pressure Temperature Ratings



Dimensions(in)

NPS	RART#	L	D	C	d	L1	L2	H	L0	Weight (lbs)	TORQUE (in·lb)
2	YBGD09R10	5.51	2.375	2.250	1.50	0.31	0.63	5.59	8.5	9.46	710
3	YBGD11R10	6.73	3.500	3.344	2.00	0.31	0.63	5.51	10.0	17.20	945
4	YBGD12R10	8.27	4.500	4.334	3.00	0.37	0.63	6.83	13.5	35.94	2155
6	YBGD14L15	10.12	6.625	6.455	5.00	0.37	0.63	10.13	39.4	95.39	4425

*Torque at Full Rated Pressure

Features:

- HIGH GRADE DUCTILE IRON WITH BETTER CORROSION RESISTANCE AND GREATER YIELD STRENGTH
- (2"、 3"、 4") RPTFE (6") DELRIN SEAT
- STANDARD PORT
- NACE VALVES INCIUDE 316 STAINIESS STEEL BALL AND STEM
- LOCKING DEVICE STANDARD
- GROOVED DIMENSIONS CONFORM TO ANSI/AWWA C606

Parts & Materials

No.	Part	Material
1	BODY	ASTM A395 DI
2	BODY SEAL	VITON
3	ADAPTER	ASTM A395 DI
4	SEATS	PTFE+15%GF/DELIN
5	BALL	ASTM A182 F316
6	STEM	ASTM A276 316
7	STEM BEARING	PTFE
8	STEM SEAL	VITON
9	STEM SEAL	VITON
10	THRUST BEARING	PTFE
11	STOP PLATE	CS+Ni
12	RETAINER RING	SPRING STEEL
13	PIN WITH CHAIN	STAINLESS STEEL
14	HEXAGON HEAD BOLTS	CARBON STEEL
15	STOP SCREW	SPRING STEEL
16	GREASE ZERK	CARBON STEEL
17	HANDLE	DUCTILE IRON