

YONG YUAN VALVE

DUCTILE IRON BALL VALVE

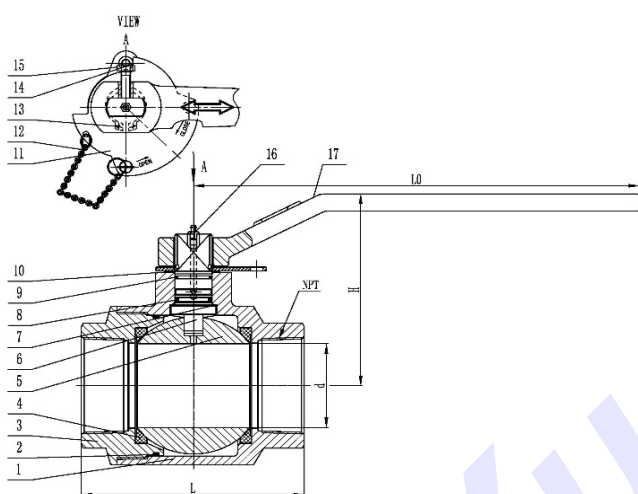
YBAD-M SERIES



FEATURES:

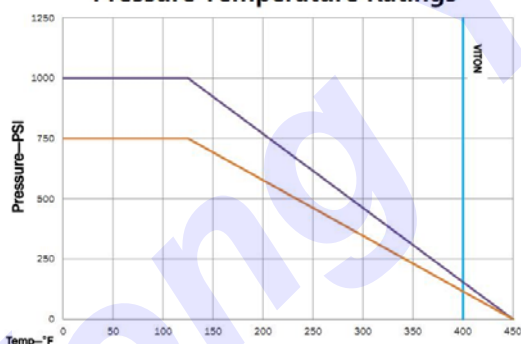
- 750/1000CWP
- DUCTILE IRON BODY
- BLOW OUT PROOF STEM
- RPTFE SEAT
- INSPECTION AND TEST:API598
- THREADS CONFORM TO ASME B1.20.1(NPT)
- NACE MR-01-75

Parts & Materials



No.	Part	Material
1	BODY	ASTM A395 DI
2	BODY SEAL	VITON
3	ADAPTER	ASTM A395 DI
4	SEATS	PTFE+15%GF
5	BALL	SS420
6	STEM	ASTM A276 420
7	THRUST BEARING	PTFE
8	STEM SEAL	VITON
9	STEM SEAL	VITON
10	STEM BEARING	PTFE
11	STOP PLATE	CS+Ni
12	PIN WITH CHAIN	STANLESS STEEL
13	RETAINER RING	SPRING STEEL
14	STOP PIN	SPRING STEEL
15	HEXAGON BOLTS	CARBON STEEL
16	GREASE ZERK	CARBON STEEL
17	HANDLE	DUCTILE IRON

Pressure Temperature Ratings



Dimensiong(in)

Size	Part#	PORT	Pressure	L	H	d	NPT	L0	Weight (lbs)	TORQUE (in·lb)
3"	YBAD-M11R7F	FP	750	7.50	6.85	2.99	8NPT	14.8	28.88	2155
	YBAD-M11R10F		1000							