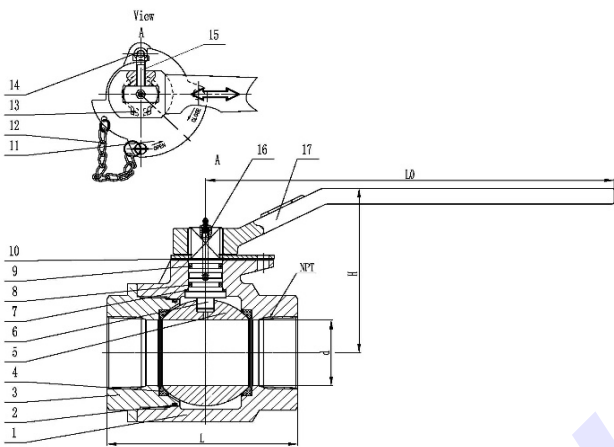


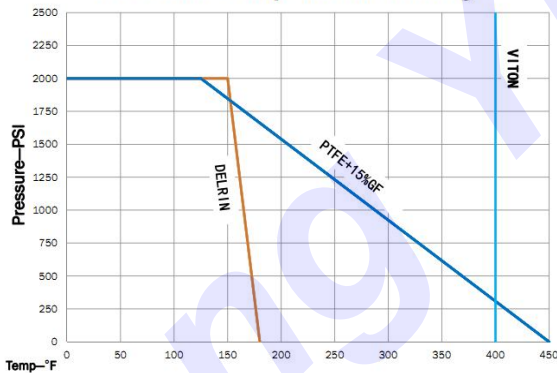
YONG YUAN VALVE

DUCTILE IRON BALL VALVE

YBAD-FP SERIES



Pressure Temperature Ratings



FEATURES:

- 2000 W.O.G. FULL PORT
- DUCTILE IRON BODY
- BLOW OUT PROOF STEM
- (1" 2") RPTFE (2-1/2" 3" 4") DELRIN SEAT
- INSPECTION AND TEST: API598
- THREADS CONFORM TO ASME B1.20.1(NPT)
- NACE MR-01-75

Parts & Materials

No.	Part	Material
1	BODY	ASTM A395 DI
2	BODY SEAL	VITON
3	ADAPTER	ASTM A395 DI
4	SEATS	PTFE+15%GF/DELRIN
5	BALL	SS420
6	STEM	ASTM A276 420
7	THRUST BEARING	PTFE
8	STEM SEAL	VITON
9	STEM SEAL	VITON
10	STEM BEARING	PTFE
11	STOP PLATE	CS+Ni
12	PIN WITH CHAIN	STAINLESS STEEL
13	RETAINER RING	SPRING STEEL
14	STOP PIN	SPRING STEEL
15	HEXAGON BOLTS	CARBON STEEL
16	GREASE ZERK	CARBON STEEL
17	HANDLE	DUCTILE IRON

Dimensiong(in)

Size	Part#	PORT	Pressure	L	H	d	NPT	L0	Weight (lbs)	TORQUE (in-lb)
1"	YBAD06R20F	FP	2000	4.02	3.43	1.00	11.5NPT	6.7	4.25	750
2"	YBAD09R20F	FP	2000	6.00	5.51	2.00	11.5NPT	10.0	17.97	1625
2-1/2"	YBAD10L20F	FP	2000	7.00	6.35	2.56	8NPT	15.0	28.99	2650
3"	YBAD11L20F	FP	2000	8.74	6.77	2.99	8NPT	15.0	42.33	3660
4"	YBAD12L20F	FP	2000	9.38	9.11	3.94	8NPT	31.5	63.49	6000

*Torque at Full Rated Pressure