

YONG YUAN VALVE

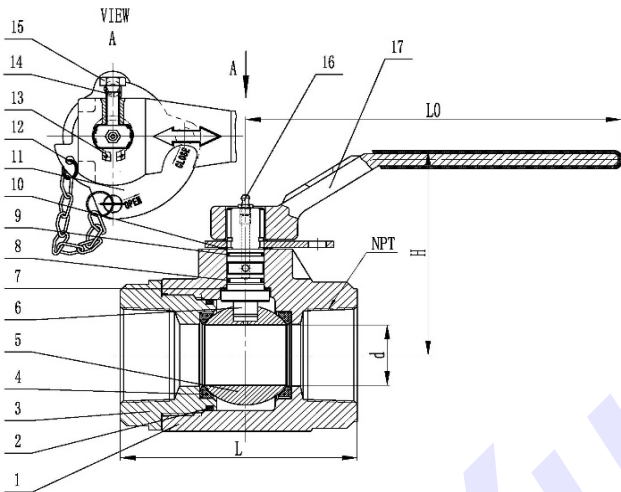
CARBON STEEL BALL VALVE

YBAC-RP SERIES



FEATURES:

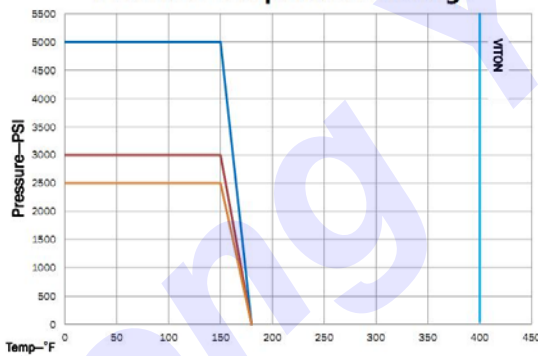
- 2500/3000/5000 W.O.G. STANDARD PORT
- CAST STEEL BODY
- BLOW OUT PROOF STEM
- DELRIN/MOLON SEAT
- INSPECTION AND TEST:API598
- THREADS CONFORM TO ASME B1.20.1(NPT)
- NACE MR-01-75



Parts & Materials

No.	Part	Material
1	BODY	ASTM A216 WCB
2	BODY SEAL	VITON
3	ADAPTER	ASTM A216 WCB
4	SEATS	DELRIN
5	BALL	SS420
6	STEM	ASTM A276 420
7	THRUST BEARING	PTFE
8	STEM SEAL	VITON
9	STEM SEAL	VITON
10	STEM BEARING	PTFE
11	STOP PLATE	CS+Ni
12	PIN WITH CHAIN	STAINLESS STEEL
13	RETAINER RING	SPRING STEEL
14	STOP PIN	SPRING STEEL
15	HEXAGON BOLTS	CARBON STEEL
16	GREASE ZERK	CARBON STEEL
17	HANDLE	DUCTILE IRON

Pressure Temperature Ratings



Dimensions(in)

Size	Part#	PORT	Pressure	L	H	d	NPT	L0	Weight (lbs)	TORQUE (in-lb)
2"	YBAC09L30	RP	3000	5.51	5.07	1.50	11.5NPT	10.0	12.15	1750
2"	YBAC09L50	RP	5000	5.51	5.07	1.50	11.5NPT	10.0	14.20	2700
3"	YBAC11L30	RP	3000	8.24	5.51	2.00	8NPT	10.0	23.02	2350
4"	YBAC12L30	RP	3000	8.72	6.85	3.00	8NPT	20.0	42.90	3660

*Torque at Full Rated Pressure

TEL:0086-579-8715288
E-mail:cnyvc@cnyvc.com

0086-579-8725688
yu@cnyvc.com

FAX:0086-579-87151442
HTTP:www.oil-fieldvalve.com