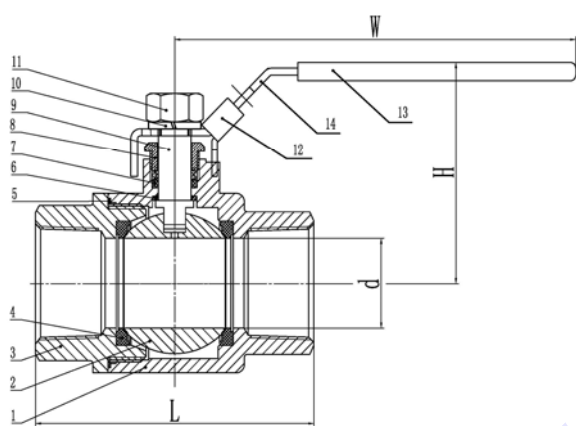


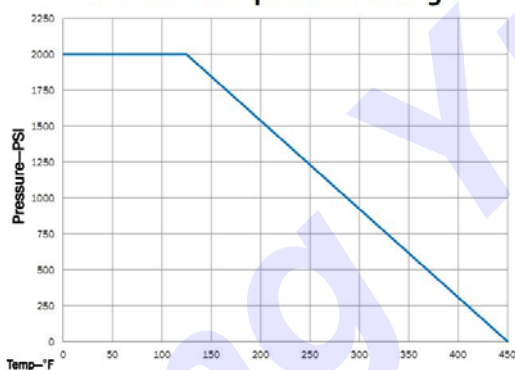
YONG YUAN VALVE

2 PC CARBON STEEL BALL VALVE

YBCC SERIES



Pressure Temperature Ratings



SPECIFICATIONS:

- FULL PORT
- W.P.: 1/4" ~ 2" 2000 W.O.G.
- 2 PIECE BODY
- BLOW OUT PROOF STEM
- PTFE/RPTFE SEAL AND PACKING
- LOCKING HANDLE
- THREADS CONFORM TO ASME B1.20.1(NPT)
- NACE MR0175

Parts & Materials

No.	Part	Material
1	BODY	ASTM A216-WCB
2	BALL	SS420
3	CAP	ASTM A216-WCB
4	SEAT	RPTFE
5	GASKET	PTFE
6	THRUST WASHER	RPTFE
7	PACKING	PTFE
8	GLAND	SS304
9	STEM	SS304
10	SPRING WASHER	SS304
11	NUT	A2-70
12	LOCKING DEVICE	SS201
13	HANDLE COVER	PVC
14	HANDLE	SS201

Dimensions(in)

NPS	RART#	d	L	H	W	Weight (lbs)	TORQUE (in·lb)
1/4	YBCC02R20	0.4528	2.4606	2.1535	3.8976	0.75	42
3/8	YBCC03R20	0.4921	2.4606	2.1535	3.8976	0.71	42
1/2	YBCC04R20	0.5906	2.5106	2.2677	4.1732	0.73	49
3/4	YBCC05R20	0.7874	2.9531	2.3622	4.9213	1.19	73
1	YBCC06R20	0.9800	3.5528	2.7953	5.9055	2.07	113
1-1/4	YBCC07R20	1.2600	4.0244	3.0827	5.9055	3.00	253
1-1/2	YBCC08R20	1.5000	4.5571	3.5827	7.4803	4.76	288
2	YBCC09R20	1.9700	5.3150	3.9252	7.4803	8.02	391